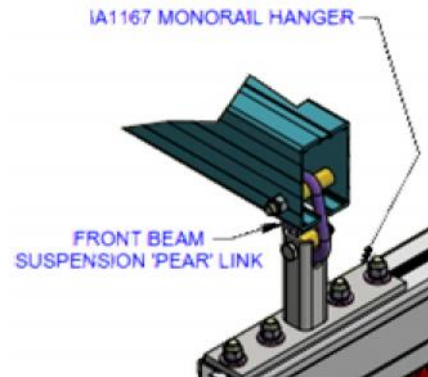


2.2—Installation Procedure for Monorail

The following steps outline the installation procedure for Winsafe Monorail. These directions are to be followed after the outrigger beams are setup that will the monorail will be suspended from. All instructions and outrigger beam layout information in the Winsafe Modular Outrigger Beams & Accessories or the Winsafe 1500 Series Modular Outrigger Beams & Accessories instruction manuals should be reviewed, and adhered to when installing the monorail.

1. Install the required outrigger beam systems with no more than 10 ft between each suspension point that the monorail system will be suspended from.

2. Once the outrigger beam systems are in place, install an IA1167 Monorail Hanger to the suspension link on the front beams by removing the 5/8" x 3.5" long bolt at the top of the hanger, and then reinstalling it to the hanger bracket with the suspension link between the vertical sections of the IA1167 Monorail Hanger as shown in this diagram.



3. If the IA1167 Monorail Hanger is installed from the outrigger beam systems at either end of the monorail span, you will then slide the horizontal part the hanger with the four 5/8" bolts and MONO0109 Washer Plates into the top side of the IA1419 10 ft End Monorail Section so that the Washer Plates slide into the slot along the top of the monorail section, and the 5/8" bolt heads sliding into the smaller space directly underneath as shown in this diagram.



Slide the hanger all the way in so that the entire horizontal length of it is supporting the end of the IA1419 10 ft End Monorail section as show in the following diagram.

4. Once the IA1167 Monorail Hanger is installed to the top of the 10 ft Monorail section, tighten each of the four 5/8" nuts facing upward to 40 lbs/ft.

