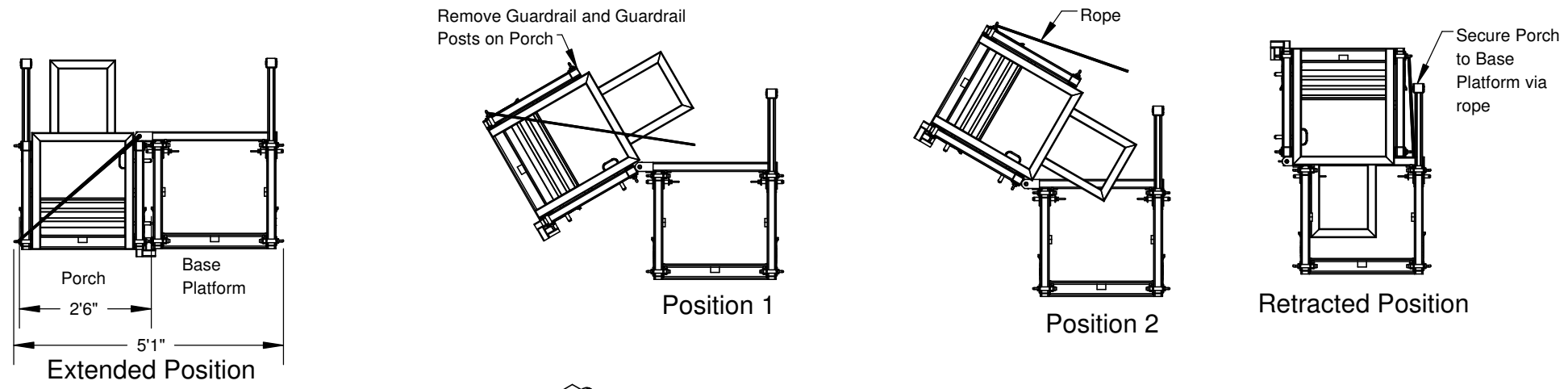


5 4 3 2 1

A



A

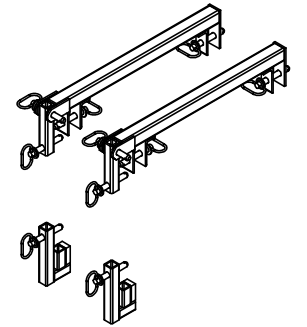
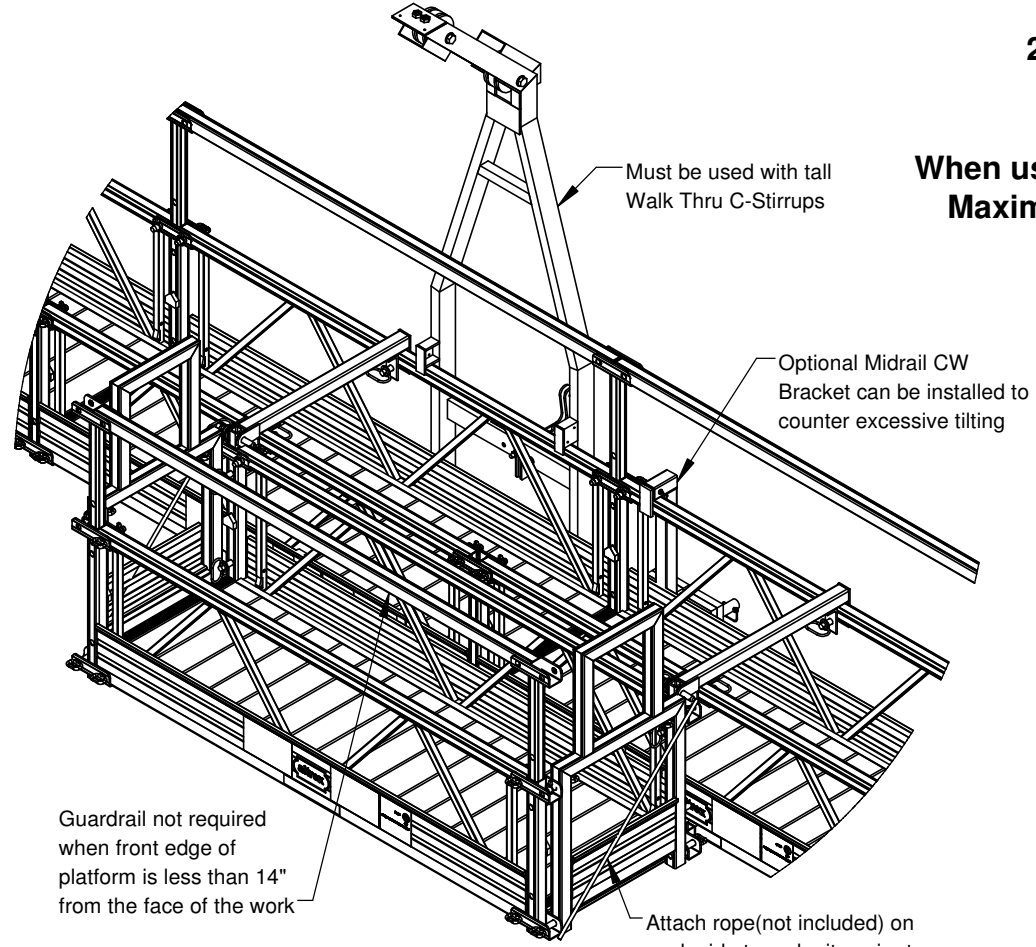
B

**250 lb Maximum Load Capacity per Porch**

**When using multiple Porches, 500 lb Maximum Load Capacity TOTAL across all Porches**

B

C



P/N 934160: Hinging Porch Bracket Set (includes items in this view only)

Due to the self-weight we recommend the largest Porch length to be a 2m section

Hinging Porch Bracket Set can also be used as a standard Porch Bracket Set

**WARNING:** Total Porch length to be no more than 1/3 the Base Platform length

Porch Length (m)	Porch Self Weight (lb)
0.5	84
1	115
1.5	128
1.5 (1m+0.5m)	159
2	148

The information contained in this drawing is the sole property of Bee Access Products. Any reproduction in part or whole without the written permission of Bee Access Products is strictly prohibited.



Hinging Porch Application

Scale: 1:35  
Do not scale drawing.  
Weight: 897 LBS  
Approvals: Drawn: SBS  
By: SBS  
Date: 08-26-15

Product Line/Project: Platform  
REV. A  
Part No. 934160 App  
Sheet 1 of 1

D

D

5 4 3 2 1