

5

4

3

2

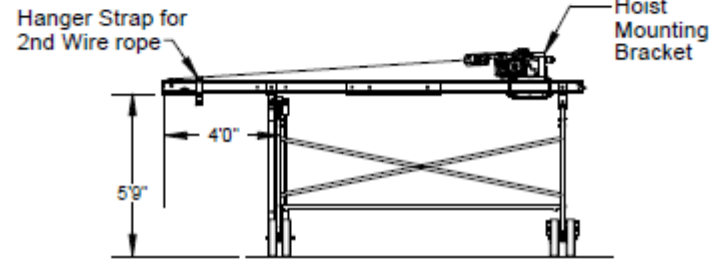
1

UP Position

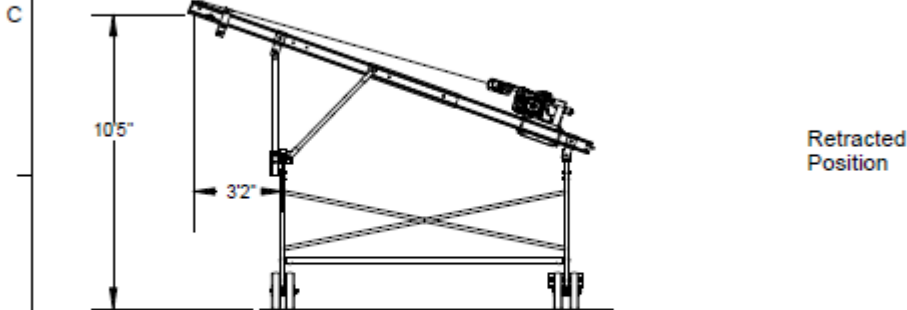
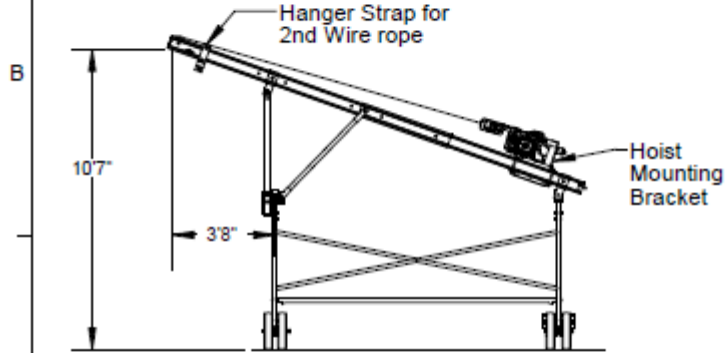
DOWN Position



Extended Position



Middle Position



Retracted Position

1,000 lb Maximum Material Load Capacity

The information contained in this drawing is the sole property of Bee Access Products. Any reproduction in part or whole without the written permission of Bee Access Products is strictly prohibited.



Scale 1:70	Do not scale drawing	Weight 2139 LBS	Product Line/Project Rigging	REV. 1
Approved By Drawn BJA	Date 10-15-12	Part No. 923021-22AC	Sheet 1 of 2	

5

4

3

2

1