

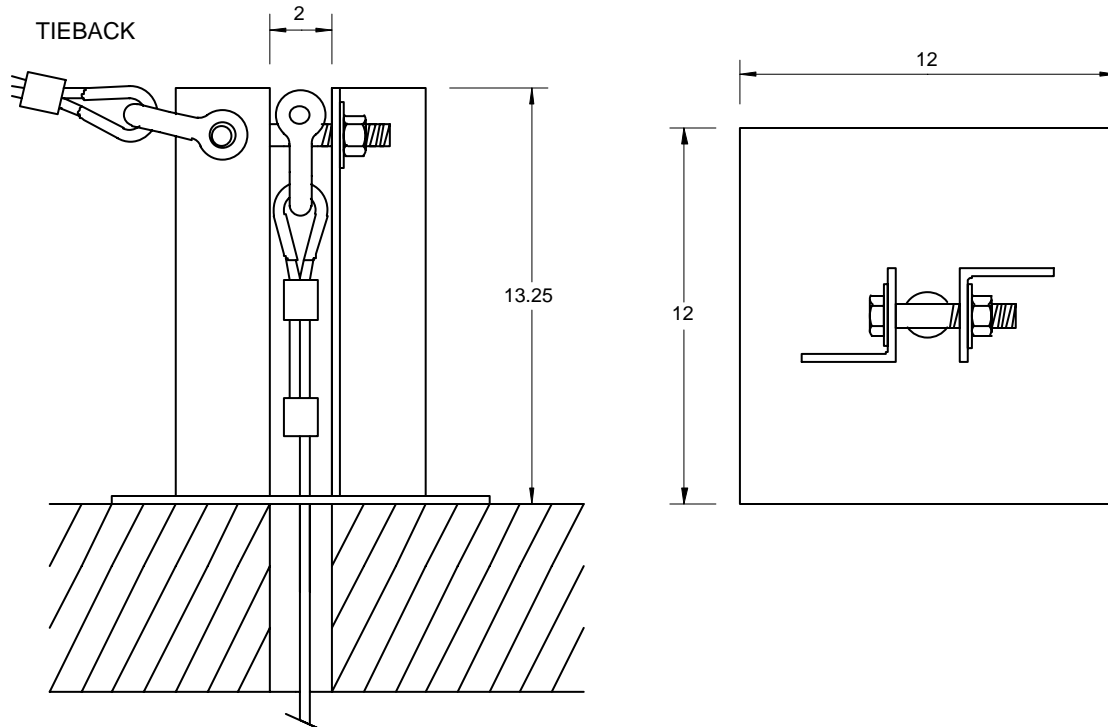


# Bee Access Products Ayres Access

Instruction PHS

Headquarters: 2145 Indian Road • West Palm Beach, FL 33409 • Phone (888 or 561) 616-9003 • Fax (561) 616-9005  
West Coast Branch: 6481 Orangethorpe Ave., Suite 7 • Buena Park, CA 90620 • Phone (714) 739-5200 • Fax (714) 739-5300

## Pigeon Hole Stand



1. The pigeonhole stand is designed to suspend powered scaffolding through existing or core drilled holes (3" maximum diameter) in a concrete or steel roof structure. Make sure the roof structure is capable of supporting 4 x the rated hoist lift capacity.
2. Position the pigeonhole stand over the hole.
3. Starting with the shackle end, uncoil the wire rope on the roof in a figure 8 configuration to avoid twisting of the wire rope later. Always wear work gloves when handling wire rope.
4. Fasten the shackle of the suspension wire rope to the bolt in the stand and tighten the bolt and locknut until snug (do not overtighten).
5. Reeve the tip of the wire rope through the hole in the stand and lower the wire rope through the hole. Be careful not to get your hands or fingers pinched while lowering the last few feet of rope. Simply let go of the wire rope when you get to the last few feet of lowering it down.
6. Fasten the tieback to a structure capable of supporting 4 x the rated hoist lift capacity.

**WARNING:** failure to properly install this device can result in injury or death.