
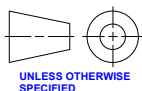


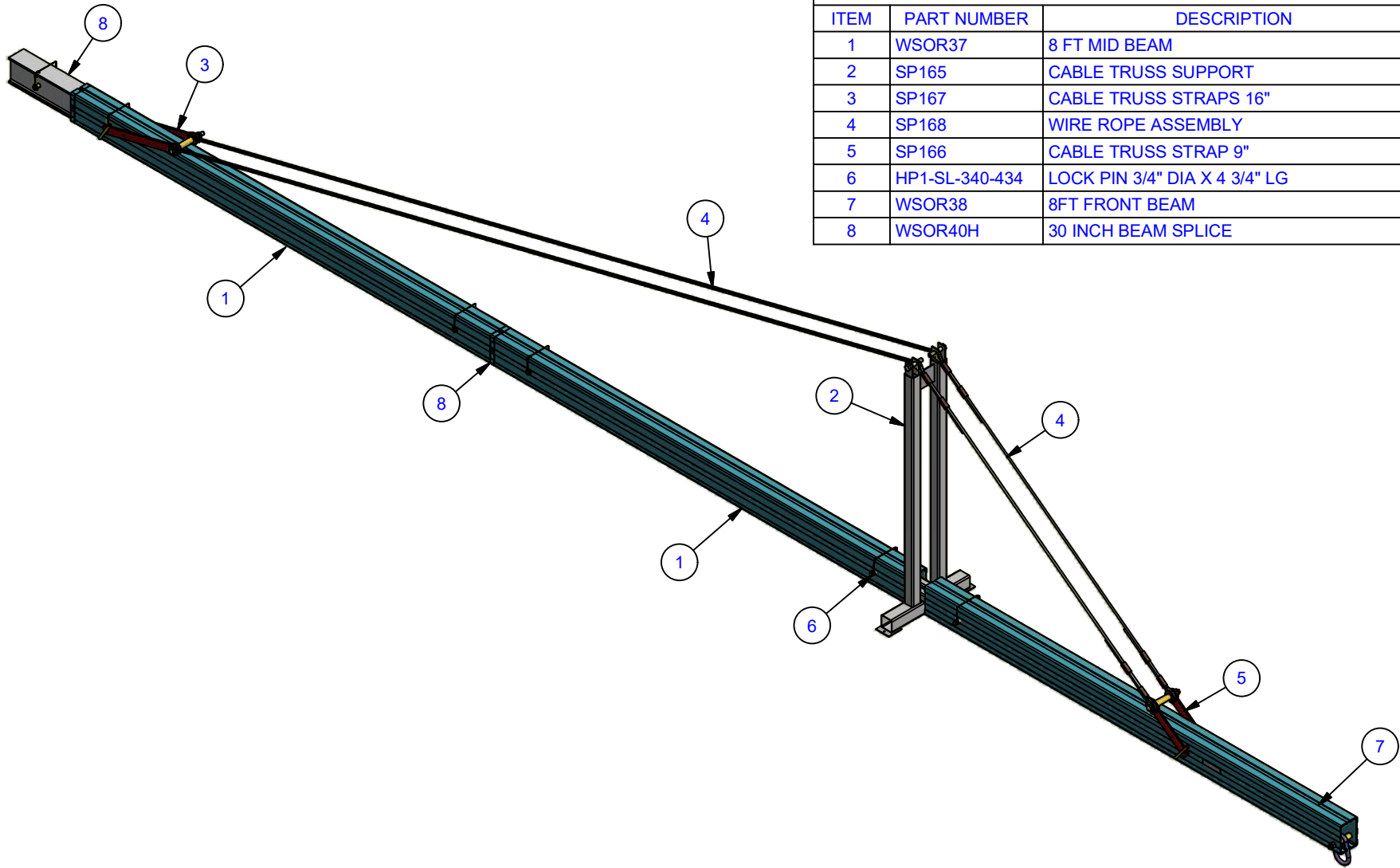
COUNTERWEIGHT OR CLAMP TO STRUCTURE TO PROVIDE RESISTANCE TO OVERTURNING WITH A SAFETY FACTOR OF 4:1. REFER TO TABLE BELOW FOR REQUIREMENTS. USE COUNTERWEIGHT ADAPTERS TO SECURE ADDITIONAL WEIGHTS AS REQUIRED.

ALWAYS SUPPORT DIRECTLY UNDER TRUSS POST BASE ROOF, SLAB, PARAPET OR OTHER SUPPORTING SURFACES MUST BE VERIFIED AS ADEQUATE TO SUPPORT LOADING.

1000 LBS  
MAXIMUM CAPACITY

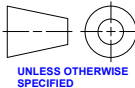
COUNTERWEIGHT REQUIRED			
#	MAX. LOAD	REACH	COUNTERWEIGHT
1	1000 LBS	8 FT	2000 LBS

REV. AND BOM SEE SHEET 2	 A DIVISION OF AGF ACCESS GROUP INC.		
 UNLESS OTHERWISE SPECIFIED	<b>TITLE:</b> 8 FT CABLE TRUSS SYSTEM WITH 16 FT RETURN		
<b>DO NOT SCALE</b>	<b>DRAWN: SS</b>	<b>DATE: 8/28/2017</b>	<b>SCALE:</b>
<small>MANUFACTURING TOLERANCES UNLESS OTHERWISE SPECIFIED</small> <small>Dimensions are in inches</small> <small>Tolerances for Dimensions to be ± 0.031</small> <small>Angles ± 1°</small>	<small>This drawing is the property of Winsafe Corp. It is loaned with the express agreement that the drawing and the information contained therein are property of Winsafe Corp., and will not be used in whole or in part to assist in making or to furnish any information for the making of apparatus or parts thereof except upon written permission of Winsafe Corp.</small>		<b>CHECK: RV</b> <b>APP: ST</b> <b>DRAWING NO.:</b> SK082817 SHEET 1 OF 2
			Aa



Parts List			
ITEM	PART NUMBER	DESCRIPTION	QTY
1	WSOR37	8 FT MID BEAM	2
2	SP165	CABLE TRUSS SUPPORT	1
3	SP167	CABLE TRUSS STRAPS 16"	1
4	SP168	WIRE ROPE ASSEMBLY	4
5	SP166	CABLE TRUSS STRAP 9"	1
6	HP1-SL-340-434	LOCK PIN 3/4" DIA X 4 3/4" LG	2
7	WSOR38	8FT FRONT BEAM	1
8	WSOR40H	30 INCH BEAM SPLICE	2

REV. AND BOM  
SEE SHEET 2



UNLESS OTHERWISE SPECIFIED

DO NOT SCALE

**TITLE:**  
8 FT CABLE TRUSS SYSTEM  
WITH 16 FT RETURN

DRAWN: SS      DATE: 8/28/2017      SCALE:

MANUFACTURING TOLERANCES UNLESS OTHERWISE SPECIFIED  
Dimensions are in inches  
Tolerances for Dimensions to be ± 0.031  
Angles ± 1°

This drawing is the property of Winsafe Corp. It is loaned with the express agreement that the drawing and the information contained therein are property of Winsafe Corp., and will not be used in whole or in part to assist in making or to furnish any information for the making of apparatus or parts thereof except upon written permission of Winsafe Corp.

CHECK: RV      APP: ST  
DRAWING NO.: SK082817  
SHEET 2 OF 2

Aa

REVISION HISTORY				
REV	DESCRIPTION	DATE	REVISED BY	APPROVED